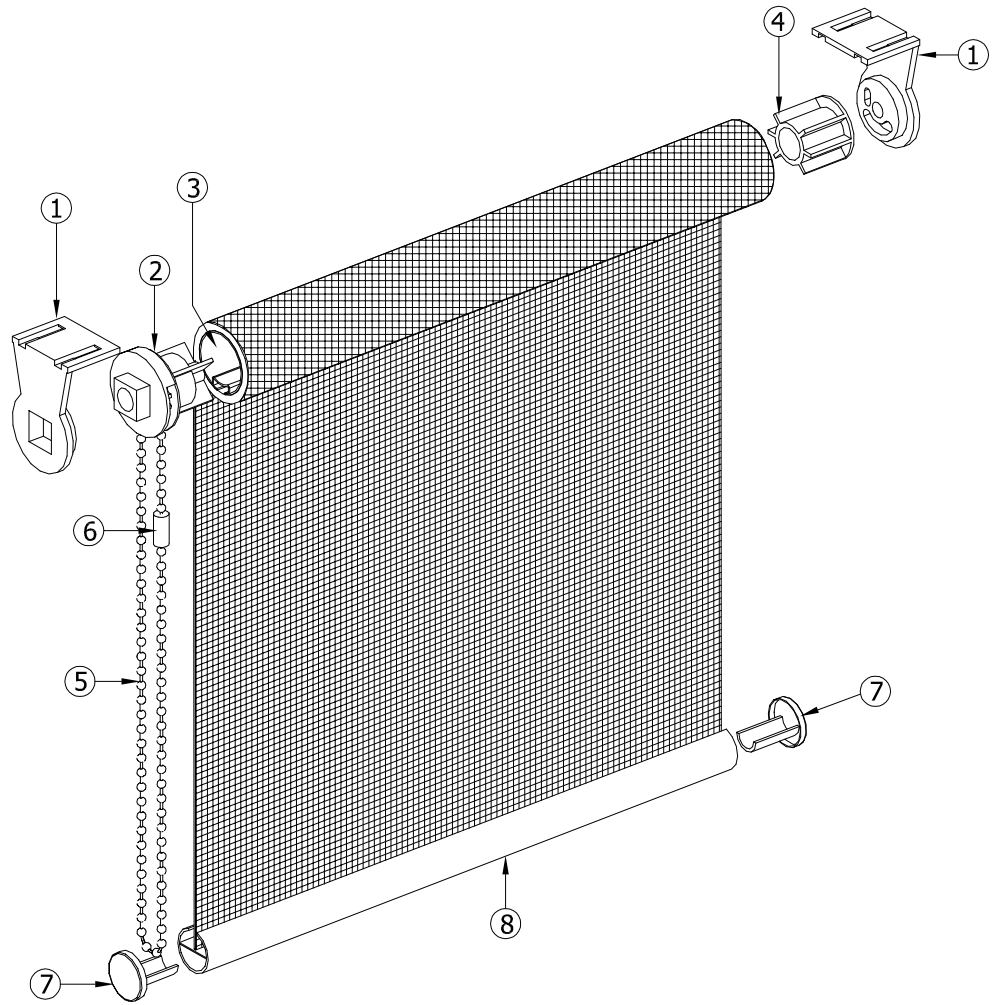
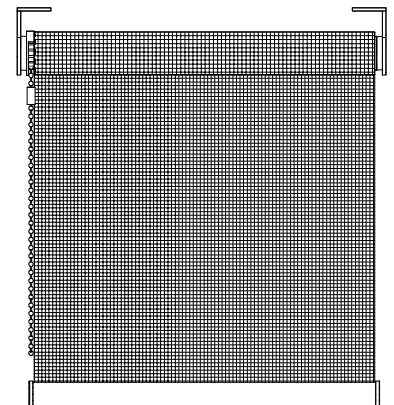


Ozone Chain Lift Roller System (OZ ROLL 30)

1. Bracket (ZB C30A/B)
2. Chain Clutch (ZCC 30)
3. Roller Tube $\varnothing 30\text{mm}$ (ZR 30)
4. End Plug (ZEP 323)
5. PVC Bead Chain (ZBC 011)
6. Chain Connector (ZCC 011)
7. End Cap (ZEC 20)
8. Bottom Bar (ZBB 20)



Max Width	Max Height	Dia
220 cm	200 cm	$\varnothing 30 \text{ mm}$



Ozone-Wide Private Limited

block 34, toh guan road east #02-26'enterprise hub'singapore 608579. tel:(65)6 515 1663 fax:(65)6 515 1660
email: info@ozone-wide.com website: www.ozone-wide.com registration: 200508228H