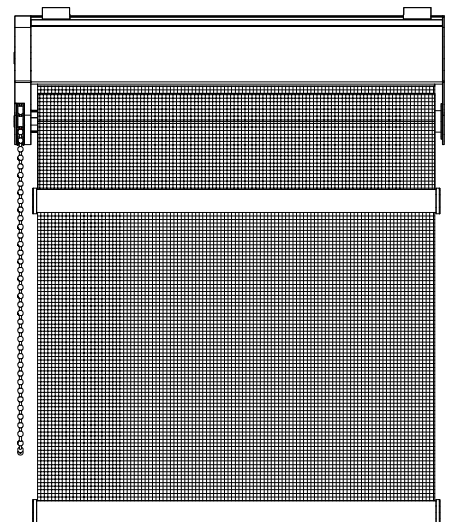
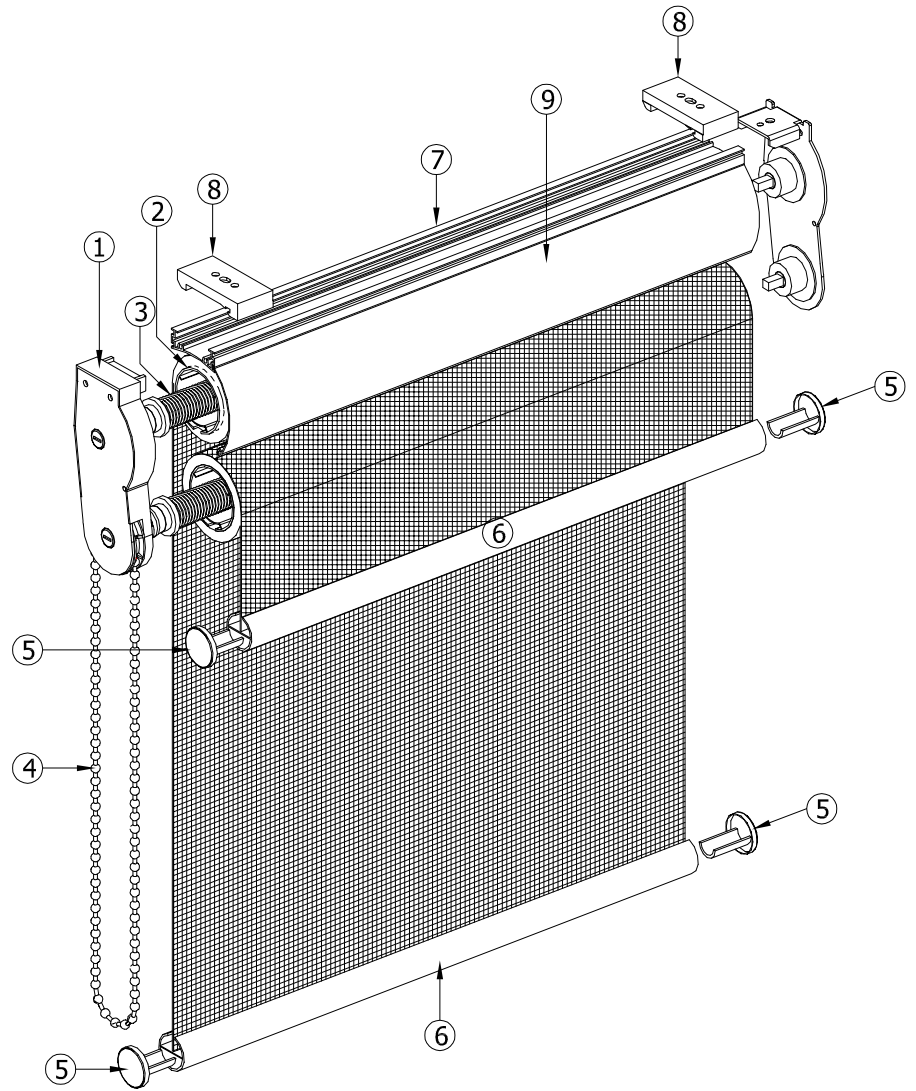


# Ozone Chain Lift Roller System (Dual Shade System)

1. Bracket (ZBDS A/B)
2. Roller Tube  $\varnothing 36\text{mm}$  (ZR36)
3. 1.3, 1.5 & 2.0mm Thickness Spring Coil
4. PVC Bead Chain (ZCB 011)
5. End Cap (ZEC 20)
6. Bottom Bar (ZBB 20)
7. Mount Base (ZMB 31)
8. Mount Clip (ZMC 32)
9. Caset Cover (ZCC 333)



Min Width	Min Height	Max Width	Max Height	Dia
60cm	100cm	250cm	270cm	$\varnothing 36\text{mm}$



## Ozone-Wide Private Limited

block 34, toh guan road east #02-26'enterprise hub'singapore 608579. tel:(65)6 515 1663 fax:(65)6 515 1660  
email: info@ozone-wide.com website: www.ozone-wide.com registration: 200508228H